

# GHBH Series

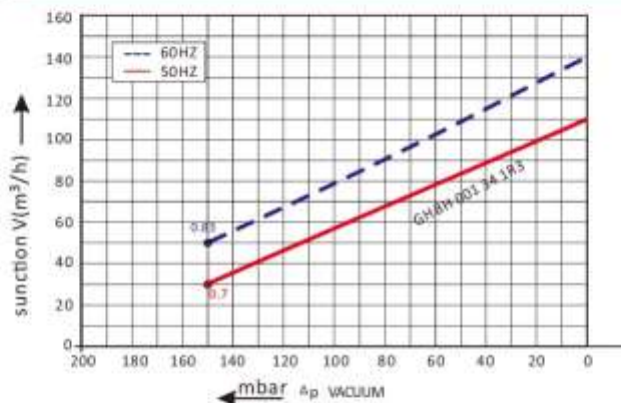
## GHBH 001 34 1R3

Technical datasheet

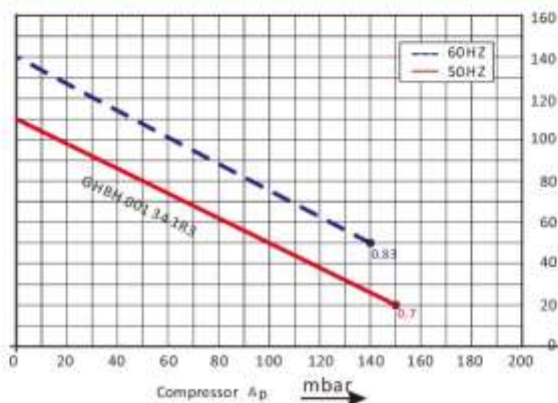


### Goorui blower performance curves

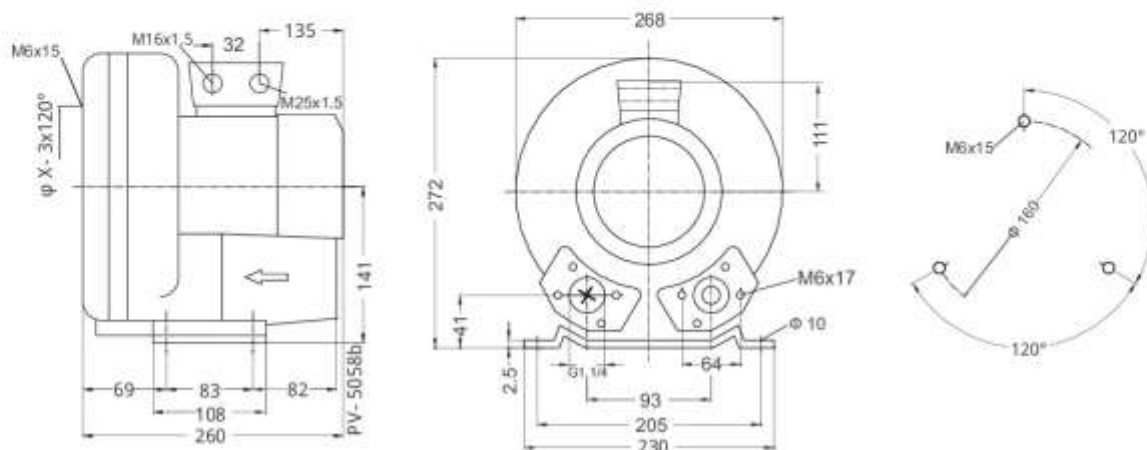
#### Vacuum selection diagram curve



#### Compressor selection diagram curve



### Goorui blower installation drawing



### Goorui blower parameter

Model	Frequency	Output	voltage	Current	airflow	pressure		noise	Weight
	HZ	KW	V		m³/h	vacuum mbar	compressor mbar		
<b>3~ 50/60Hz IP54 INSULATION class F</b>									
GHBH 001 34 1R3	50	0.7	200-240Δ/345-415Y	3.8Δ/2.2Y	110	-150	150	55	13
GHBH 001 34 1R3	60	0.83	220-275Δ/380-480Y	3.75Δ/2.15Y	140	-150	140	58	13

The performance curves of Goorui blower is tested through below ways:

Under one atmospheric pressure, suck 15°C air and then you can calculate the data, of course allow 10% difference, and when the sucked air and surroundings temperature are not higher than 25°C, you still can get total pressure difference as the curves shows.